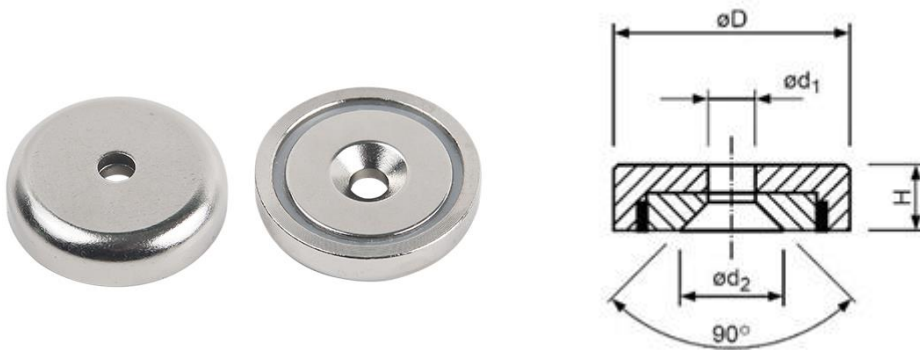


Neodymium (Neo) Pot Magnets

A neodymium pot magnet, is a type of powerful magnetic device that utilizes a neodymium magnet encased in a steel pot or housing. These magnets are commonly used in industrial and commercial applications due to their strong magnetic force and durability.

ESSEN supplies different styles of Neo pot magnets in a variety of stock dimensions as below:

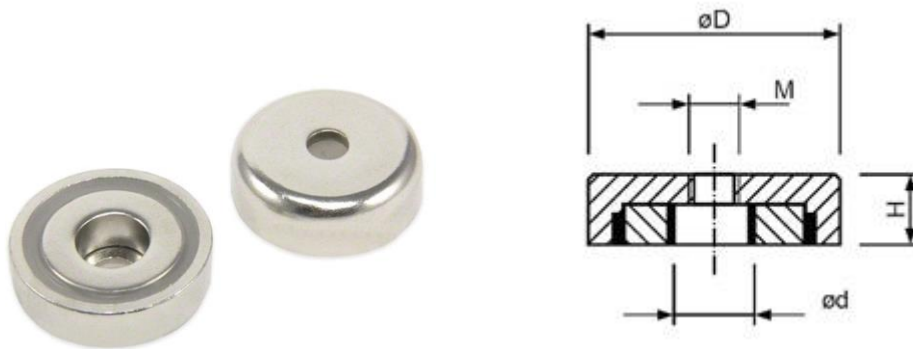
EN-A Series Neo Pot magnet flat with bore and 90° counter bore



They are assembled with a NdFeB ring magnet and soft steel cover. The Neo magnet can be Nickel or Zinc plated and the steel cover can be Nickel (Zinc or Chrome) plated.

Model	$\varnothing D$ (mm)	$\varnothing d_1$ (mm)	$\varnothing d_2$ (mm)	H(mm)	Holding Force (kg)
EN-A16	16	3.5	6.5	5	5
EN-A20	20	4.5	8.5	7	6
EN-A25	25	5.5	10.4	8	14
EN-A32	32	5.5	10.4	8	25
EN-A36	36	6.5	12	9	29
EN-A42	42	6.5	12	9	37
EN-A48	48	8.5	16	11.5	68
EN-A60	60	8.5	16	15	112
EN-A75	75	10.5	19	18	162

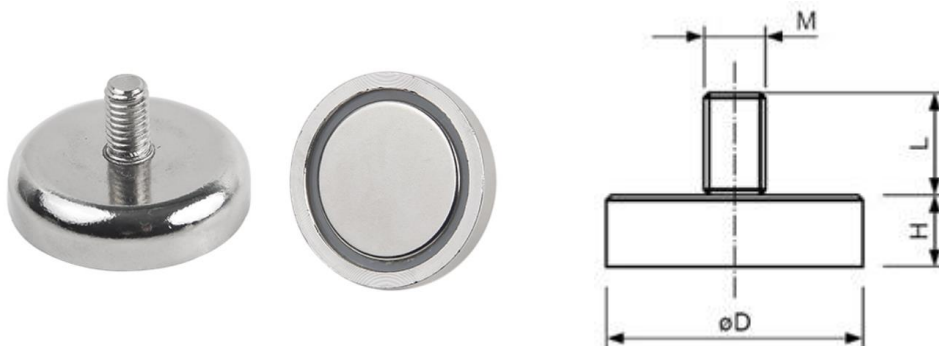
EN-B Series Neo Pot magnet flat with ring magnet



They are assembled with a NdFeB ring magnet and soft steel cover. The Neo magnet can be Nickel or Zinc plated and the steel cover can be Nickel (Zinc or Chrome) plated

Model	$\phi D(\text{mm})$	M	$\phi d(\text{mm})$	H(mm)	Holding Force (kg)
EN-B16	16	3.5	6.5	5	4
EN-B20	20	4.5	8	7	6
EN-B25	25	5.5	9	8	14
EN-B32	32	5.5	9	8	23
EN-B36	36	6.5	11	9	29
EN-B42	42	6.5	11	9	32
EN-B48	48	8.5	15	11.5	63
EN-B60	60	8.5	15	15	95
EN-B75	75	10.5	18	18	155

EN-C Series Pot magnet flat with threaded neck



They are assembled with a NdFeB disk magnet and soft steel cover w/bolt on the top. The two parts are bonded together with epoxy. The NdFeB magnet can be Nickel or Zinc plated and the steel cover can be Nickel (Zinc or Chrome) plated.

Model	Ø D(mm)	M	L(mm)	H(mm)	Holding Force (kg)
EN-C16	16	4	8	5	5.5
EN-C20	20	4	8	7	9
EN-C25	25	5	9	8	22
EN-C32	32	6	10	8	34
EN-C36	36	8	10	8	41
EN-C42	42	8	11	9	68
EN-C48	48	8	12.5	11.5	81
EN-C60	60	10	15	15	113
EN-C75	75	10	19	15	164

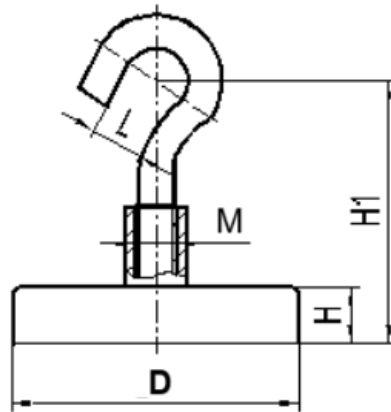
EN-D Series Pot magnet flat with screwed bush



They are assembled with a NdFeB disk magnet and soft steel cover w/tap bolt on the top. The two parts are bonded together with epoxy. The NdFeB magnet can be Nickel or Zinc plated and the steel cover can be Nickel (Zinc or Chrome) plated.

Model	Ø D(mm)	d	M	L	H	Holding Force (kg)
EN-D16	16	6	4	13.5	4	5.5
EN-D20	20	8	4	15	4	9
EN-D25	25	10	5	17	5	22
EN-D32	32	10	6	18	6	34
EN-D36	36	10	8	18.5	6	41
EN-D42	42	12	8	18.8	6	68
EN-D48	48	12	8	24	8	81
EN-D60	60	14	10	28	8	113
EN-D75	75	17	10	35	10	164

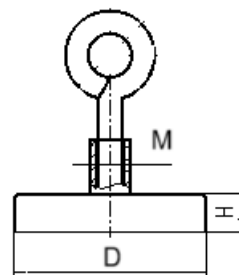
EN-E Series Pot magnet flat with a hook



They are assembled with a NdFeB disk magnet and steel hook on the top. The NdFeB magnet can be Nickel or Zinc plated and the steel cover and hook can be Nickel (Zinc or Chrome) plated.

Model	Ø D (mm)	M	H	H1	L	Holding Force (kg)
EN-E16	16	M4	5.2	30	7.5	5.5
EN-E20	20	M4	7.2	32	7.5	9
EN-E25	25	M5	7.7	32	8.5	22
EN-E32	32	M6	7.8	36	10	34
EN-E36	36	M6	7.6	36	10	41
EN-E42	42	M6	8.8	37	10	68
EN-E48	48	M8	10.8	45	11	81
EN-E60	60	M8	15	50	11	113
EN-E75	75	M10	17.8	62	16	164

EN-F Series Pot magnet flat with an Eye blot



They are assembled with a NdFeB disk magnet and steel eye bolt on the top. The NdFeB magnet can be Nickel or Zinc plated and the steel cover and eye bolt can be Nickel (Zinc or Chrome) plated.

Model	Ø D (mm)	M	Eye bolt Size	H	Holding Force (kg)
EN-F16	16	4	M 4 x 10	5.2	5.5
EN-F20	20	4	M 4 x 10	7.2	9
EN-F25	25	5	M 5 x 10	7.7	22
EN-F32	32	6	M 6 x 15	7.8	34
EN-F36	36	6	M 6 x 15	7.6	41
EN-F42	42	6	M 6 x 15	8.8	68
EN-F48	48	8	M 8 x 20	10.8	81
EN-F60	60	8	M 8 x 20	15	113
EN-F75	75	10	M 10 x 20	17.8	164