



## **Neodymium Rectangular Magnet with Countersunk Holes( Channel Magnet)**

**Neodymium Rectangular Magnet with Countersunk Holes (Channel Magnet)** is a type of magnetic assembly where a strong neodymium magnet, is encased in a U-shaped steel channel or housing. This design focuses and directs the magnetic force, making the magnet significantly stronger than a regular magnet of the same size. Channel magnets are widely used in holding, mounting, and assembly applications where strong magnetic force is required in a compact form factor.

### **Common Applications of Channel Magnets**

#### **Mounting and Holding:**

Channel magnets are widely used in mounting applications where a strong and stable magnetic hold is necessary. For instance, they can be mounted to walls or workbenches to hold tools, fixtures, signage, or display materials. In retail and industrial settings, they are used to hold parts, equipment, or shelves in place.

#### **Fixture Positioning:**

These magnets are used in fabrication and assembly processes to hold workpieces, jigs, or fixtures securely in place. Their focused magnetic field ensures that metal parts stay aligned and fixed during welding, cutting, or machining operations.

#### **Workshop Tool Holder:**

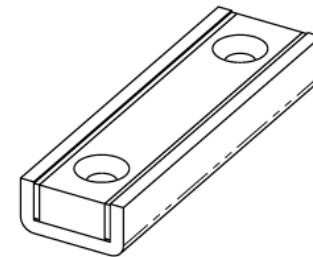
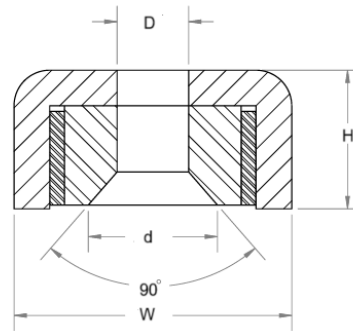
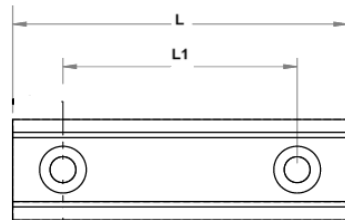
Channel magnets can be mounted on the wall of a workshop to hold metal tools, making them easy to access and organize.

#### **Cabinet Door Closure:**

A channel magnet can be installed inside a cabinet or drawer as a magnetic latch, providing a simple and clean solution for keeping doors closed.

Fixture in Welding Operations: During metal fabrication, a channel magnet can be used to hold metal pieces together temporarily, allowing the welder to focus on the task.

Essen can offer below channel magnets, custom types and sizes are also available upon request.



Part#	L	L1	W	H	D	d	Weight	Vertical Breakaway
	(mm)	(mm)	(mm)	(mm)	(mm)	(mm)		
CHM-40	40	30	13.5	5	3.3	6.5	19	17
CHM-50	50	40	13.5	5	3.3	6.5	24	27
CHM-60	60	50	13.5	5	3.3	6.5	30	30
CHM-80	80	70	13.5	5	3.3	6.5	38	33
CHM-100	100	90	13.5	5	3.3	6.5	48	36
CHM-120	120	110	13.5	5	3.3	6.5	58	40